



Model 320 Transporters



100% air-operated principle ensures constant movement in one direction. A simple control setting adjusts the travel speed.



P.O. Box 209, Port Royal, PA 17082
 Tel: 717.527.2094 Fax: 717.527.2180
 Email: info@vibroindustries.com
 Web: www.vibroindustries.com

The Vibro Model 320 Air-Operated Transporter is designed to move 60 lbs of mass (operating at 35 PSI - 0.6 CFM), but can handle up to 100 lbs. The Model 320 saves downtime over conventional conveying systems (fewer moving parts) and are easily adaptable to meet your growing needs. Vibro Transporters operate exclusively on 100% air pressure (no mechanical springs) and are manufactured entirely in the USA.

Specifications

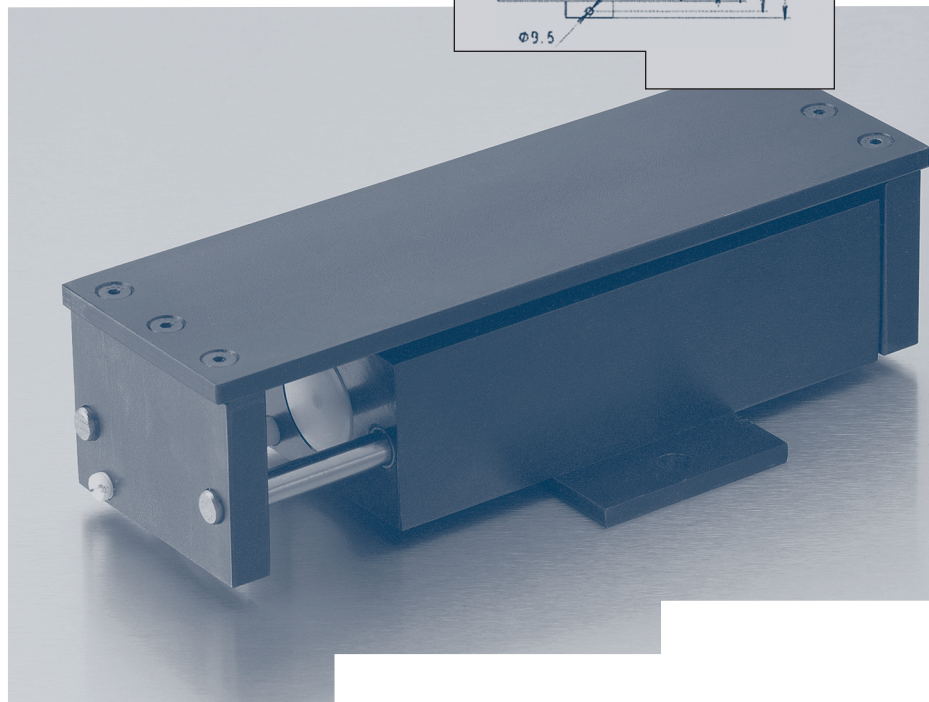
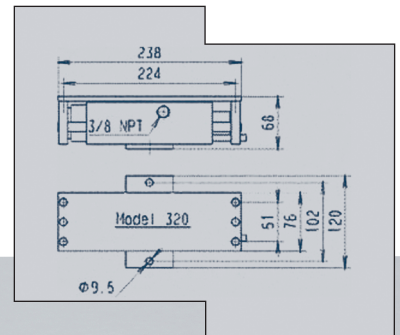
	Model 320
Air Pressure Range	35 - 80
Air Consumption (CFM)	60 psi - .09 35 psi - .06
Feed Rate (feet/minute)	15 - 40
Sound Level (db-A)	65
Maximum Load	60 lbs.
Max. Weight of Tray	25 lbs.
Transporter Weight	13 lbs.

Vibro Features Include:

- Two Year Warranty
- 100% Air Operated (no mechanical springs)
- Low Air Consumption
- Variable Speed (12-40 ft./min.)
- Available from Stock
- 100% American Made

Optional Features Include:

- A Cover Guard for harsh environments
- Quick Clamps for fast tray removal
- Adjustable Bearing Support for trays
- A Motion Sensor that automatically shuts down machinery if the air supply is ever interrupted



Global Distribution

